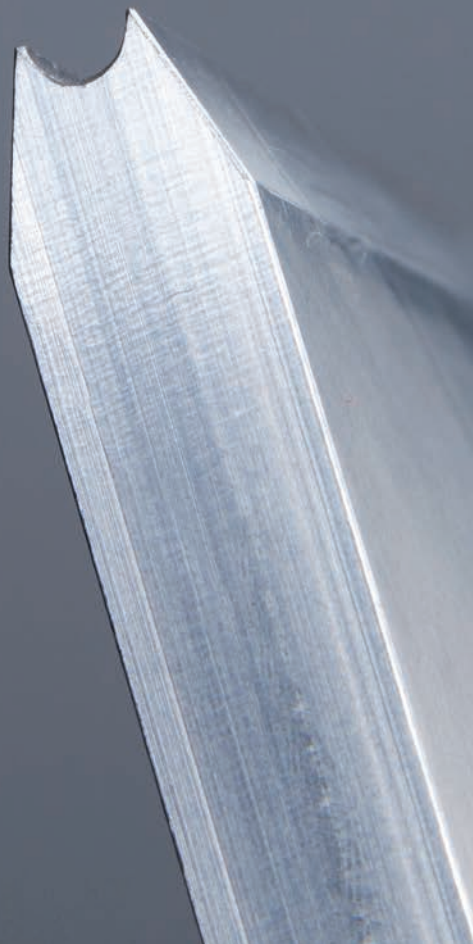




It's so EASY The self-leveling steel rule

Ready for your application!



Our e+s cutting rule with self-leveling back (EASY) compensates the die cutting pressure in its back and ensures the height balance in the die cutting press. The edge hardened tip will not be damaged through the higher pressure during the die cutting process.

Reduce your patching time up to 85% and raise your productiveness.

Advantages

- High cost saving
- Longer lifetime
- Perfect for small, big and repeat orders

Technical info

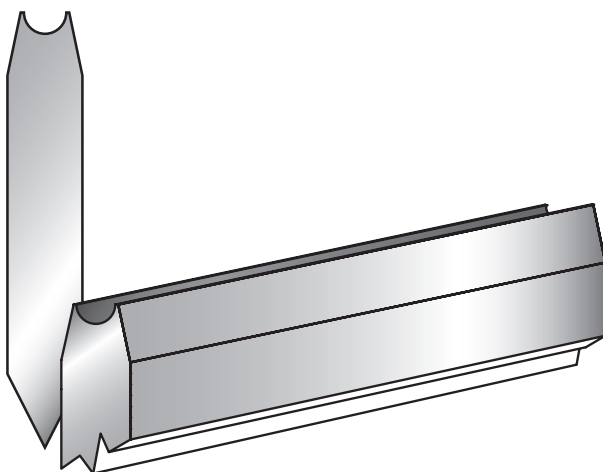
- Possible execution 60W & TDF –S
- Thickness's 0,71mm & 1,05mm
- All heights
- Folding boxes and corrugated paper



EASY unused



EASY after 47tons pressure



To achieve an optimal result the pressure must be increased gradually!